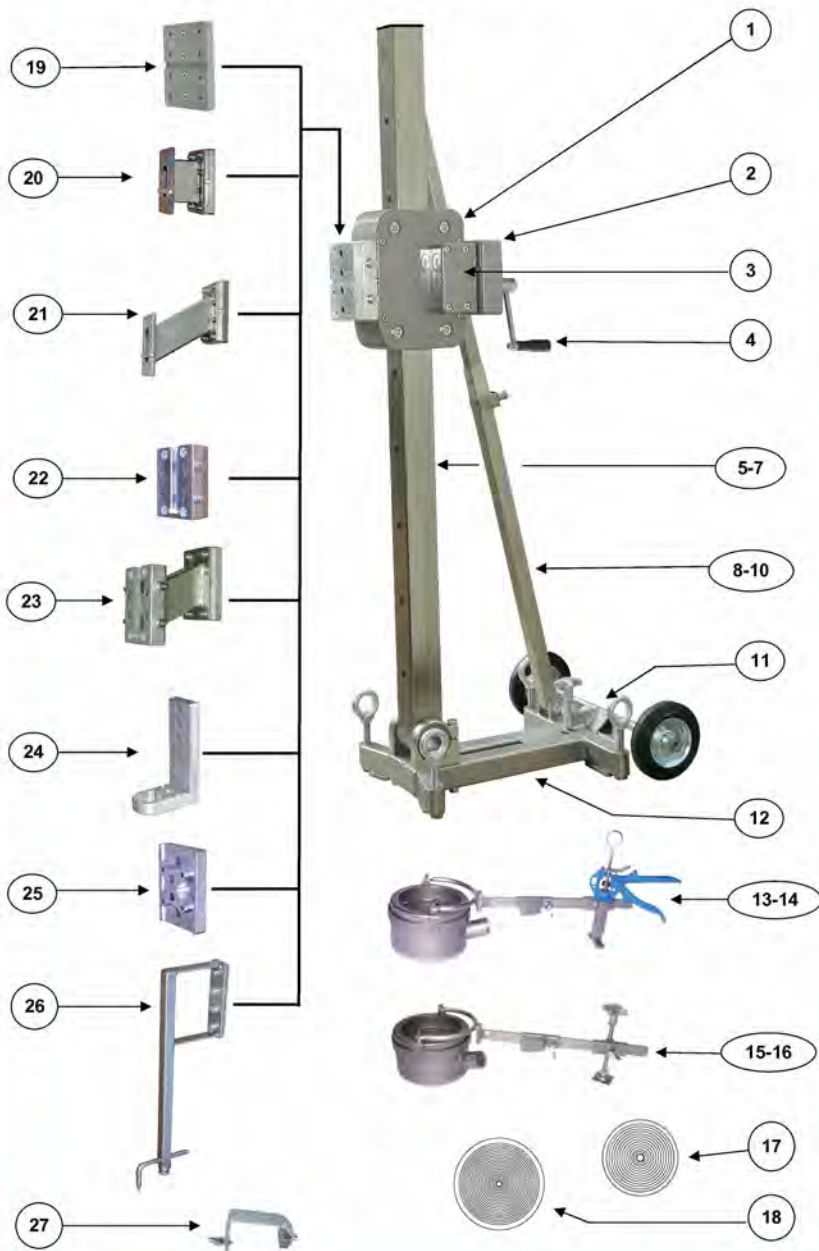


Drill stand KF 700



components and parts list KF 700

Item	Designation	Order no.	Piece
1	Carraige cpl. with gear (silvergrey)	700.1.2.3 K	1
2	Front gear cpl.	700.3.0 K	1
3	Worm gears cpl.	700.2.0 K	1
4	Crank cpl.	700.5.0 K	1
5	Column 1000 mm with flexible bracket cpl.	700.6.0 G.K.	1
6	Column 1400 mm with flexible bracket cpl.	600.6.014 G.K	1
7	Column 2000 mm with flexible bracket cpl.	700.6.020 G.K	1
8	Support 1000 mm cpl.	700.18.00 K	1
9	Support 1400 mm cpl.	700.19.00 K	1
10	Support 2000 mm cpl.	700.20.00 K	1
11	Wheel Kit cpl.	700.1.06 K	1
12	Foot plate steel cpl.	700.9.0 K	1
13	Drill water suction ring+chuck handle D132 cpl.	250.8.0 K	1
14	Drill water suction ring+chuck handle D202 cpl.	250.9.0 K	1
15	Drill water suction ring+chuck screw D132 cpl.	250.8.01 K	1
16	Drill water suction ring+chuck screw D202 cpl.	250.9.01 K	1
17	Membrane D 132	150.8.7	1
18	Membrane D 202	250.8.7	1
19	Drilling motor plate cpl.	700.1.18 K	1
20	Spacer 110 mm cpl.	400.2.0 BD K	1
21	Spacer 190 mm cpl.	600.2.0 BD K	1
22	Quick change distance piece 50 mm cpl.	600.1.19 BG K	1
23	Quick change distance piece 170 mm cpl.	600.2.01 BDG K	1
24	Instep neck adapter cpl.	150.11.0 K	1
25	Motor plate for Hilti Engines cpl.	400.1.17 H K	1
26	Drilling middles indicator, m.d. 115-150 mm cpl.	250.10.2 K	1
27	End stop cpl.	250.6.30 K	1

Technical data KF 700:

Max. bore diameter	700 mm
Slide feed travel	1010 mm
Weight	43 kg
Dimensions (height) mm	1540
Max. motor output	7,5 KW
Gear ratio	1:51/1:21

More information is available at: www.flei-ka.de

Visit us also: www.facebook.com/fleikasoyen