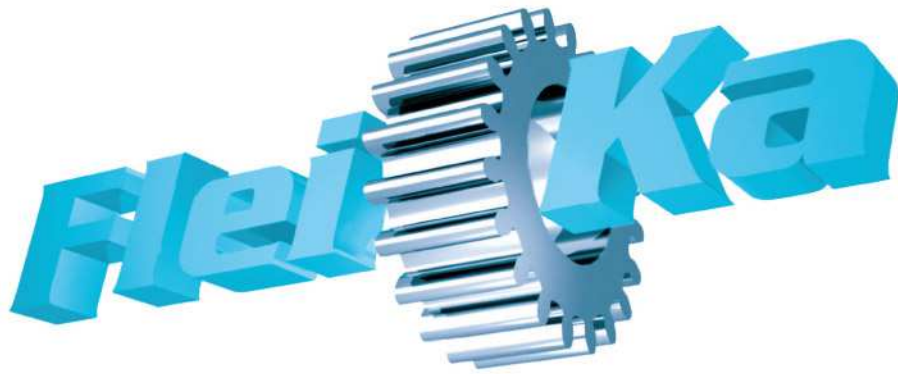


**New
Accessories
from**



Drill Stands

Steel foot console extra narrow for Fleika drill stand KF 250

Fleika has for special applications now an extra small steel foot console for the Fleika drill stand KF 250 developed.



This special foot console allows the use of Fleika KF 250 also place a confined space, such as between pipes, beams or parapets. The sturdy yet lightweight design in Fleika Quality enables the user a fast and accurate drilling - and this foot console is made of stainless steel.

Ask for your Fleika dealer.

Fleika Maschinen und Anlagenbau GmbH Co. KG

Koblberg 1, D-83564 Soyen, Sales: Alois Blüml, Tel: 0049-8071-103228 – Fax: 0049-8071-103256

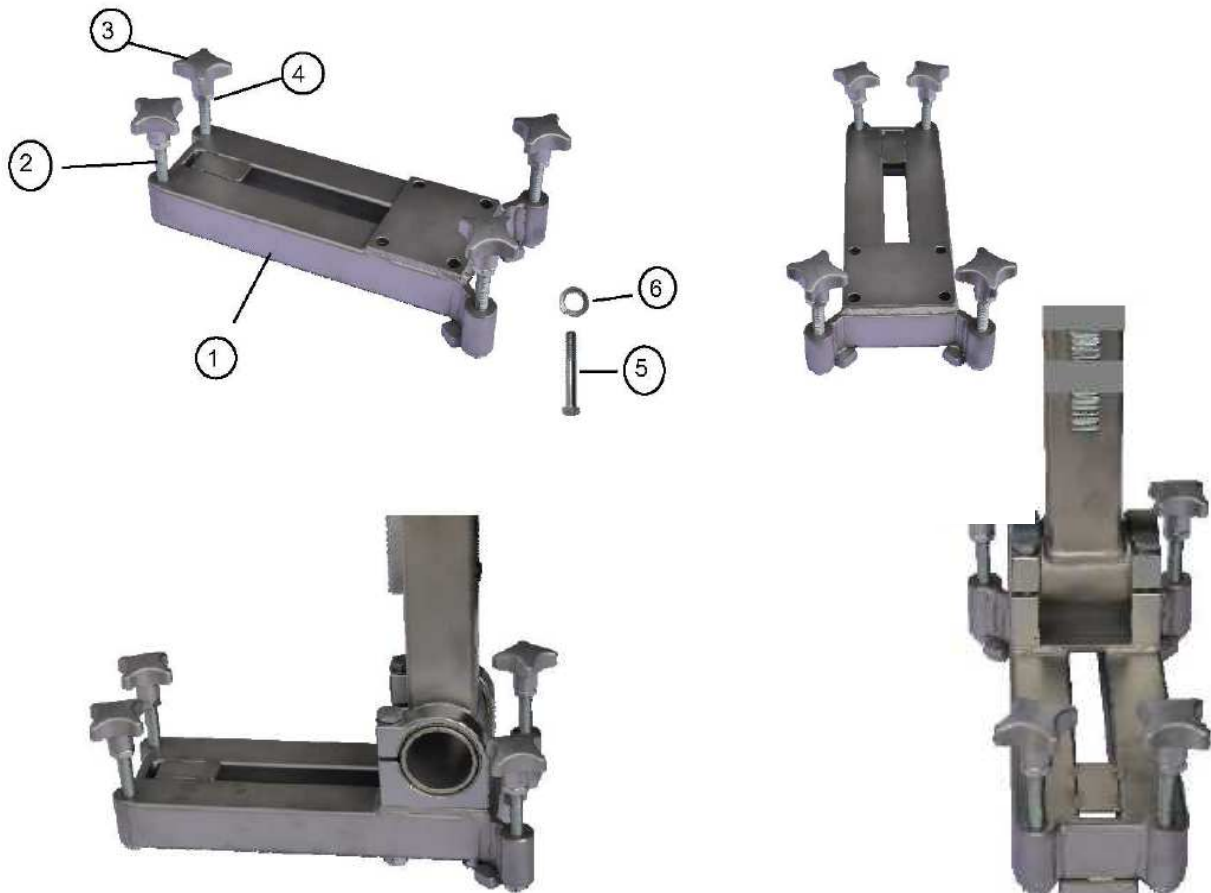
The original by



The professional drilling stand for pros

The details of the new foot console

| item | Order no. | Designation | pieces |
|------|------------------|------------------------------------|--------|
| | 150.4.0 ST.Sch K | Foot plate steel complete – narrow | |
| 1 | 150.4.1 ST Sch | foot plate body – narrow | 1 |
| 2 | 150.4.2 | adjusting screw | 4 |
| 3 | 150.3.5 | star knob M10 | 4 |
| 4 | 250.3.6 | nut M10 flat | 4 |
| 5 | 150.5.7/150.5.3 | screw M10x60 | 4 |
| 6 | 150.5.5 | retainer ring D10 | 4 |



Fleika Maschinen und Anlagenbau GmbH Co. KG

Koblberg 1, D-83564 Soyen, Sales: Alois Blüml, Tel: 0049-8071-103228 – Fax: 0049-8071-103256